

Please note that the data given here has been taken from the online catalog. For comprehensive information and data, please refer to the user documentation at <http://www.download.phoenixcontact.com>. The General Terms and Conditions of Use apply to Internet downloads.

## ▶ Extract from the online catalog



D-SUB panel mounting base, with radially-acting profile gasket mounted, with enclosed self-adhesive flat gasket (without mounting screws on the device side).

Order No.	1688366
Ord designation	VS-09-A
EAN	4017918817510
Pack	5 Pcs.
Customs tariff	85369010
Catalog page information	Page 14 (PC-2005)

## ▶ Technical data

### Material data

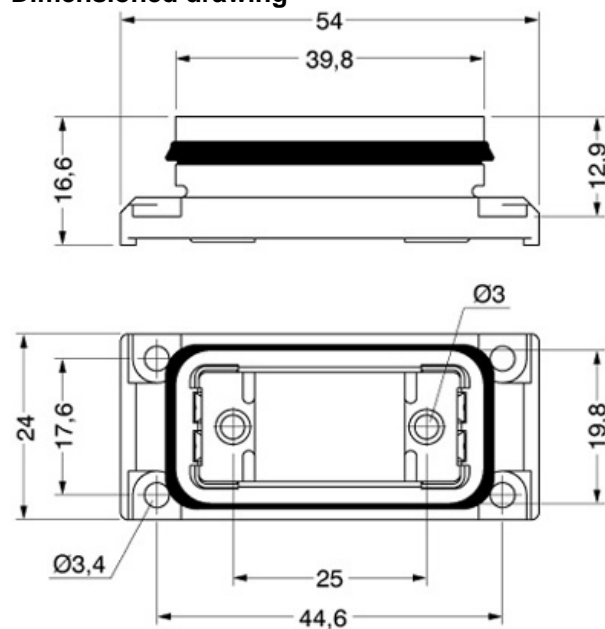
Degree of protection	IP67
Inflammability class acc. to UL 94	V0

### Electrical characteristics

Ambient temperature (operation)	-20 ° C ... 80 ° C
---------------------------------	--------------------

## ► Drawings

### Dimensioned drawing



---

## ► Accessories

---

Item	Designation	Description
<b>General</b>		
1688463	VS-09-A-EMV-S	D-SUB EMC shroud for contacting a D-SUB contact insert on the mounting side with the outer wall of the device
1887086	VS-09-SD	Protective cover, for covering the contact insert in the mounting frame or sleeve housing

---

---

► **Address**

---

PHOENIX CONTACT Inc., USA  
586 Fulling Mill Road  
Middletown, PA 17057  
USA  
Phone (800) 888-7388  
Fax (717) 944-1625  
<http://www.phoenixcon.com>  
Phoenix Contact  
Technical modifications reserved;